

# SL01-Series



## KEY ADVANTAGES

- Maximize energy savings and lower maintenance costs
- A new generation of self-developed multi-angle T2/T3/T4/T5 lenses, offering high-efficiency lighting, comfort and safety
- 4 sizes to provide the most accurate solution for numerous road and urban applications
- Tool-free access with a clear, perceptible click upon closing
- Die-cast aluminum heat sink with smooth surface design to ensure high-quality heat dissipation and automatic cleaning function
- Optional NEMA or ZHAGA socket function, realize energy saving needs
- Wide range of operating temperatures

## TYPES OF APPLICATION

- URBAN & RESIDENTIAL STREETS
- BRIDGES
- BIKE & PEDESTRIAN PATHS
- RAILWAY STATIONS & METROS
- CAR PARKS
- SQUARES & PEDESTRIAN AREAS
- ROADS & MOTORWAYS



BRIDGES



URBAN & RESIDENTIAL STREETS



BIKE & PEDESTRIAN PATHS



RAILWAY STATIONS & METROS



CAR PARKS



SQUARES & PEDESTRIAN AREAS



ROADS & MOTORWAYS



## GENERAL INFORMATION

Driver included	Yes
CE mark	Yes
RoHS compliant	Yes
Safety features	Open circuit protection Short circuit protection Overvoltage protection
Testing standard	LM-79 -19 (all measurements in ISO17025 accredited laboratory)

## HOUSING AND FINISH

Housing	Aluminium
Optic	Polycarbonate
Protector	Glass
Housing finish	Electrostatic polyester powder coating
Standard colour(s)	RAL 9007 grey
Tightness level	IP 66
Impact resistance	IK 08
Vibration test	Yes

## OPERATING CONDITIONS

Operating temperature range (Ta)	-30°C to + 45°C
Operating Humidity	10-90%RH
Mounting Option	Side entry or Vertical pole mounted
Warranty	5 years

## PERFORMANCE

Power	60W/80W/100W/150W/200W
Efficacy	160lm/W,130lm/W
Power Efficiency	≥90%
Start Time	≤0.2S

## ELECTRICAL INFORMATION

Electrical class	Class I EU
Nominal voltage	120-277V   50/60Hz
Power factor (at full load)	0.9
Surge protection options (kV)	10KV-Line-Line / 10KV-Line-Earth 20KV Optional
Electromagnetic compatibility (EMC)	EN 55015:2019/A11:2020, EN 61000 3-2:2019, EN 61000-3-3:2013, EN 61547:2009, EN 62493:2015
Control protocol(s)	1-10V, Photocell (optional)
Socket	Zhaga (optional) NEMA 3/5/7-pin (optional)
Total Harmonic Distortion(THD)	IEC 61000-3-2 Class C <20%
Driver Type	Constant current(CC)

## OPTICAL INFORMATION

LED Type	SMD3030
Beam Angle	T2 / T3 / T4 / T5
Recommended installation height	4m to 12m
Color Tolerance	Ra70 ≤7 Ra80 ≤5
LED colour temperature	3000K / 4000K / 5000K / 5700K / 6500K
Colour rendering index (CRI)	CRI>70 standard CRI>80 optional
Upward Light Output Ratio (ULOR)	0%

## LIFETIME OF THE LEDS @ TA 25°C

All configurations	
L70B10	>100,000h
L80B10	>50,000h
L90B10	>30,000h
Switching Cycles	>100,000 times

## STANDARD VERSION

POWER	LUMENS	EFFICACY
60W	9,600LM	160LM/W
80W	12,800LM	160LM/W
100W	16,000LM	160LM/W
150W	24,000LM	160LM/W
200W	32,000LM	160LM/W

## ECO VERSION

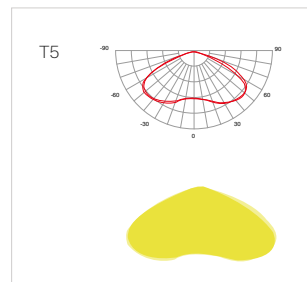
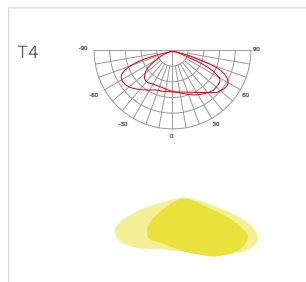
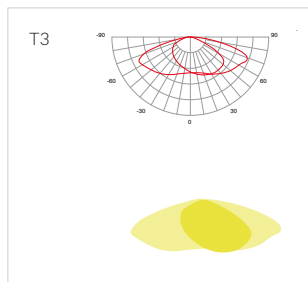
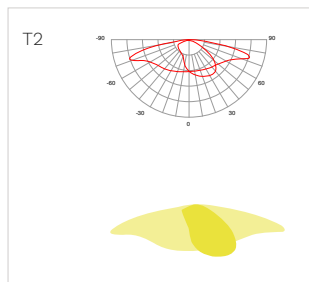
POWER	LUMENS	EFFICACY
60W	7,800LM	130LM/W
80W	10,400LM	130LM/W
100W	13,000LM	130LM/W
150W	19,500LM	130LM/W
200W	26,000LM	130LM/W

※The Performance Data is tested base on 230VAC, TYPE II and 4000K for all versions  
 ※Power Consumption Tolerance ±5% (Apply to all versions)  
 ※Lumen Efficiency Tolerance ±5% (Apply to all versions)

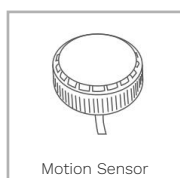
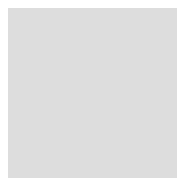
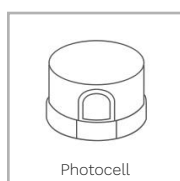
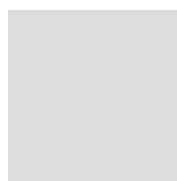
## PACKAGING

POWER	PACKAGE SIZE	QTY/CTN	NET WEIGHT	GROSS WEIGHT	20GP	40HQ
60W	L598*W258*H175mm	1PCS/CTN	3.2kg	4.2kg	950pcs	2400pcs
80W	L598*W258*H175mm	1PCS/CTN	3.2kg	4.2kg	950pcs	2400pcs
100W	L655*W295*H190mm	1PCS/CTN	4.2kg	5.2kg	700pcs	1800pcs
150W	L780*W385*H188mm	1PCS/CTN	7.2kg	8.2kg	450pcs	1100pcs
200W	L780*W385*H188mm	1PCS/CTN	7.2kg	8.2kg	450pcs	1100pcs

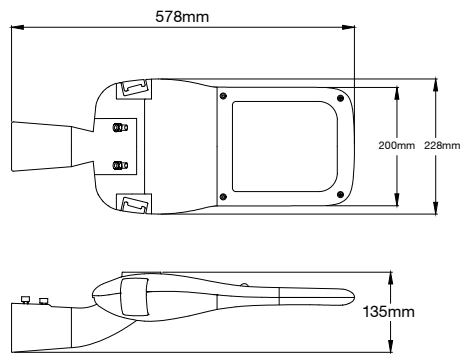
## LIGHT DISTRIBUTIONS



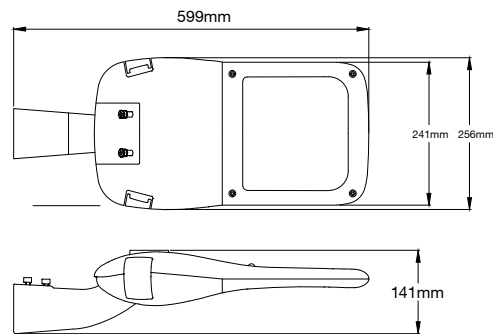
## OPTIONAL ACCESSORIES



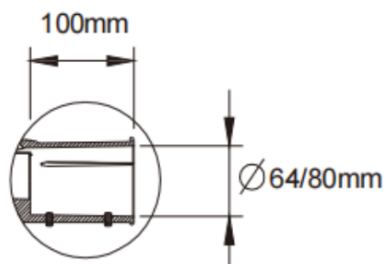
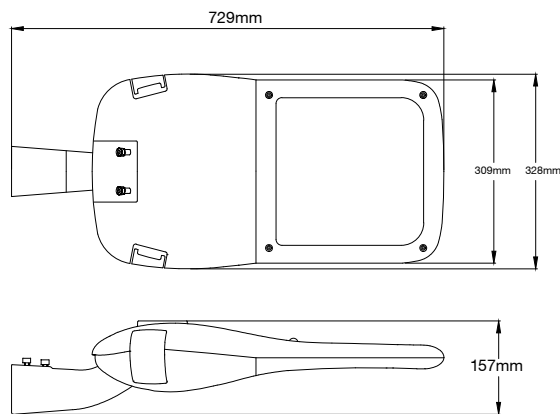
## 60W/80W



## 100W



## 150W/200W



Dimensions given for SL01 with  $\varnothing 64/80\text{mm}$  spigot

pole inset dimension: 100mm  
opening dimension:  $\varnothing 64/80\text{mm}$